

Reliable Power

LP100C-series

LED Power Supply

100W AC/DC power supply for LED lighting
Universal AC input
Output: Dual 350mA or single 700mA

The LP100C series of high efficiency fully isolated AC/DC power supplies are designed for the high demands of LED Lighting applications. They provide dual outputs of 350mA or a single output of 700mA.

Each output uses current control and can drive a string of up to 40 HB-LEDs directly, eliminating the need for external drivers.

These power supplies are configured in an open frame metal chassis for excellent cooling within the housing. Fully enclosed IP67 packaging is available for use in damp locations.



Key Features

- Universal AC input range
- Constant current outputs, 350mA or 700mA
- High efficiency >90%
- Size 7.8" x 2.6" x 1.53" (200 x 65 x 39 mm)
- High reliability, long life (>10 years continuous operation @45°C)

Standard Features

- High power factor >0.95
- Internal overvoltage protection
- Internal input fuse
- -40°C to +80°C baseplate
- Thermal shutdown protection
- Full safety approval (UL, cUL, CE)
- Input and output terminal blocks
- RoHS compliant
- Conformal coating of PCB
- Optional IP67 housing
- 5-year factory warranty



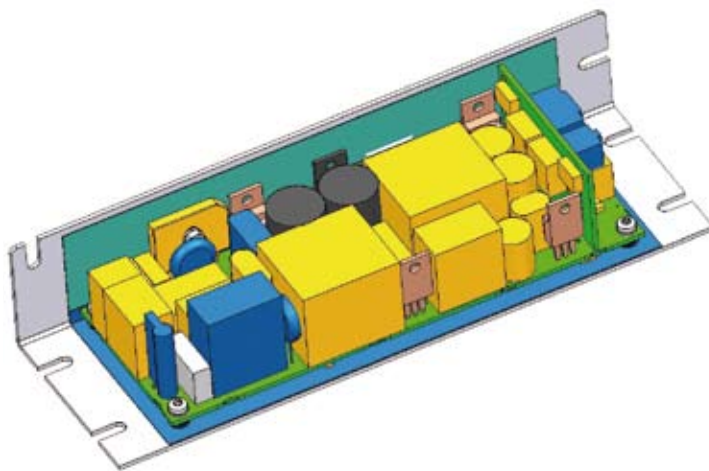
PERFECT IN FORM AND FUNCTION

AEG

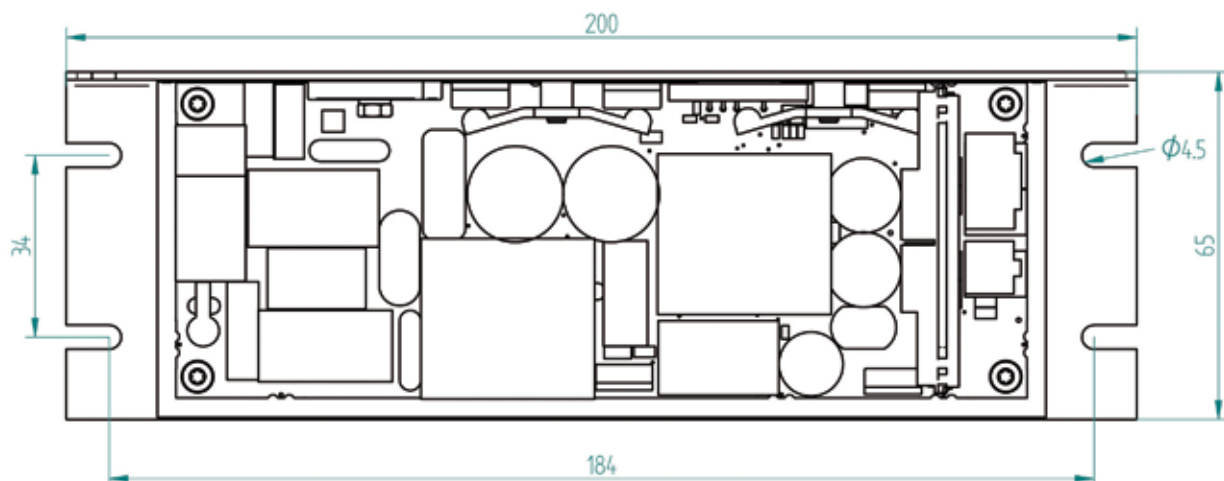
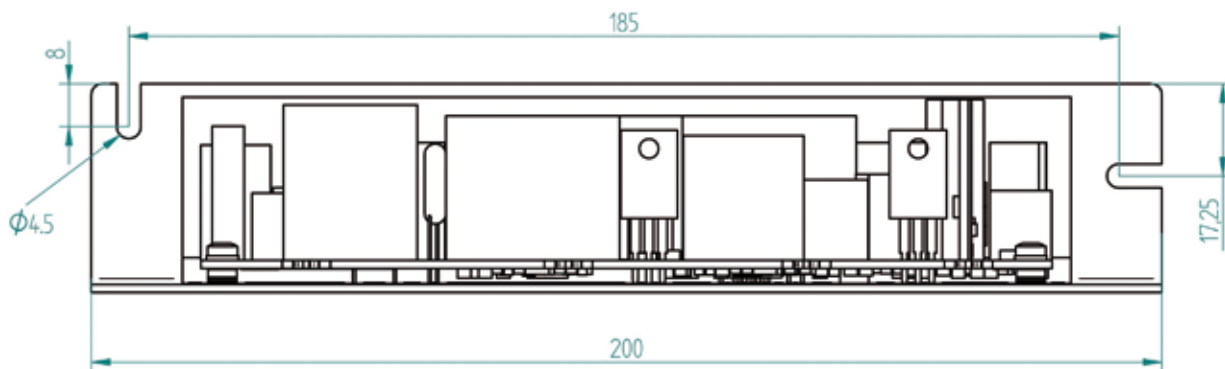
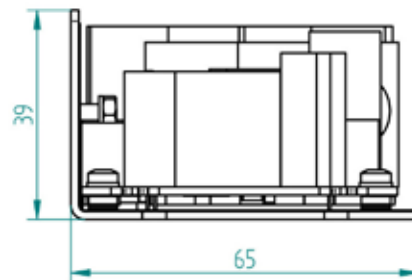
LP100C-series

Outline drawing

All dimensions in mm.



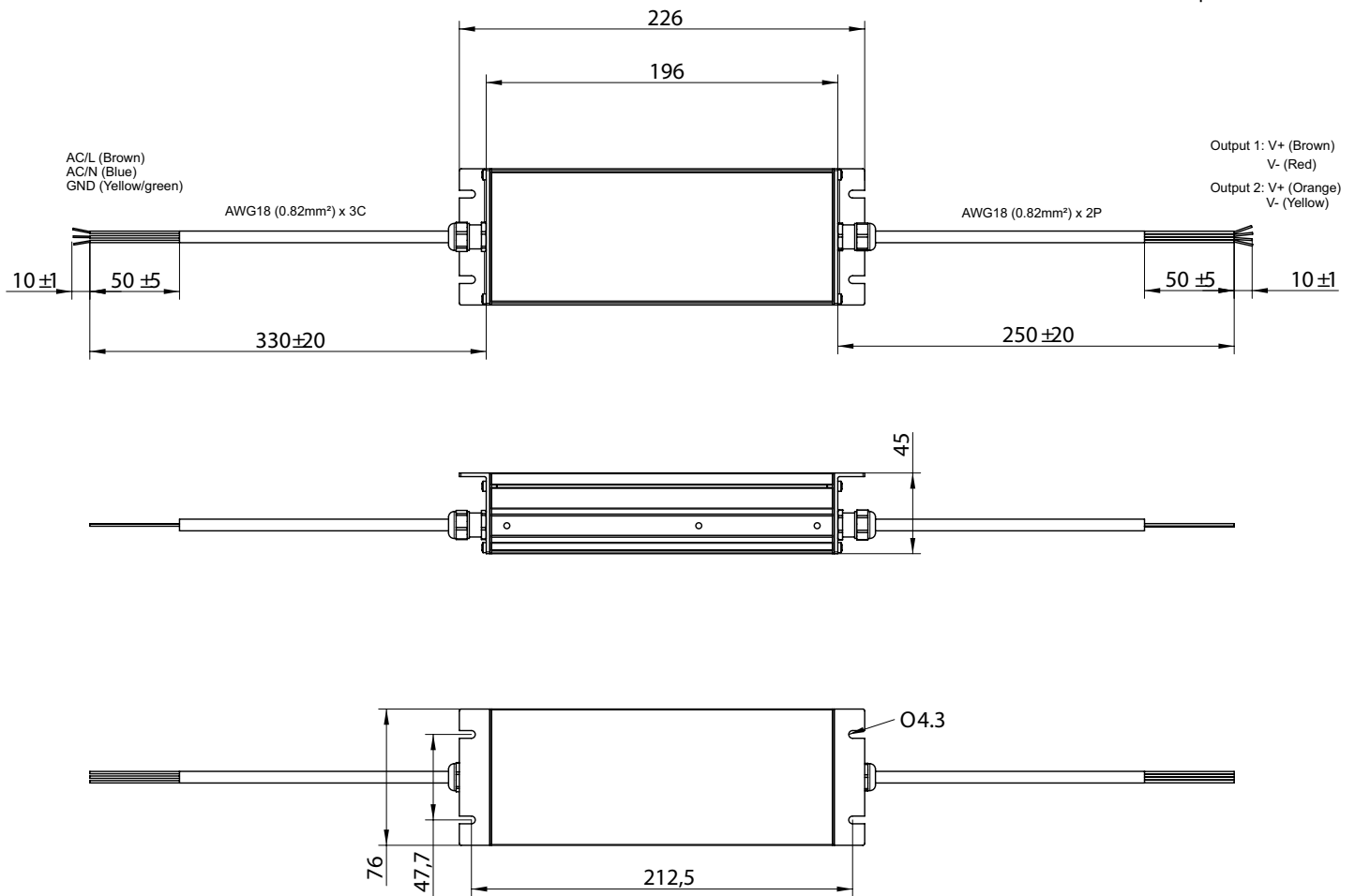
Unit:mm
Unspecified tolerance: +/- 0,5mm



Outline drawing (LP100CD35B67 and LP100CS70B67)

All dimensions in mm.

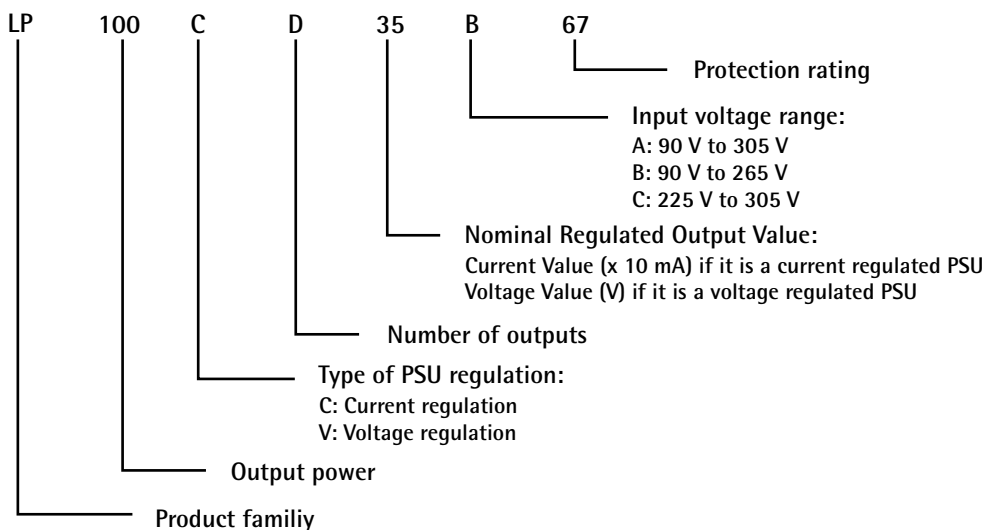
Unit:mm
Unspecified tolerance:



Ordering information:

PRODUCT VERSION	PART NUMBER
Dual 350mA outputs, conformal coated	LP100CD35B00
Dual 350mA outputs, IP67 enclosure	LP100CD35B67
Single 700mA output, conformal coated	LP100CS70B00
Single 700mA output, IP67 enclosure	LP100CS70B67

Part Number System with options:



AEG is a brand licensed by Electrolux AB



LP100C - AEG - 05/10 - EN - V1 - Due to our policy of continuous development, data in this document is subject to change without notice and becomes contractual only after written confirmation.

For further information,
please refer to our website:

www.aegps.com

PERFECT IN FORM AND FUNCTION

AEG