

Reliable Power

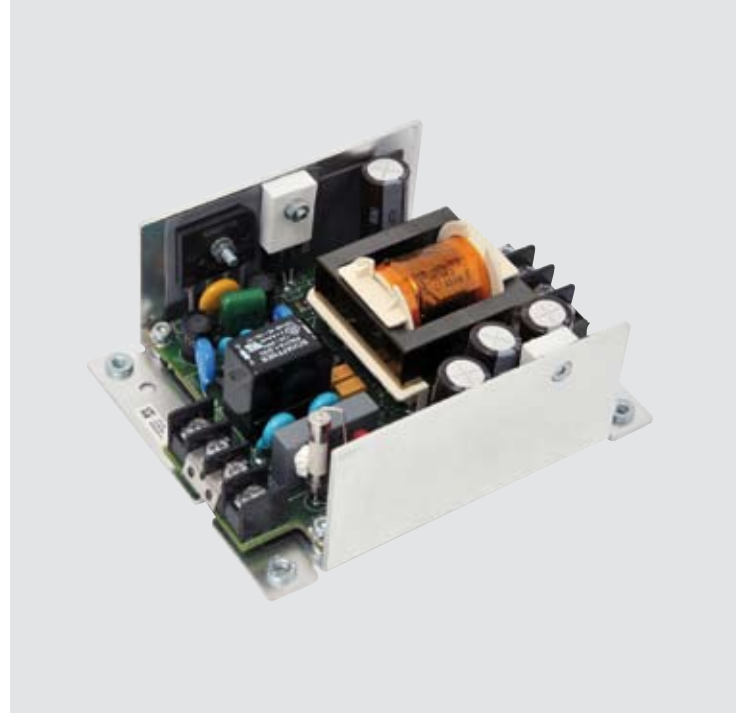
LP100V-series

LED Power Supply

AC/DC power supply 100W

The LP100V series of isolated AC/DC power supplies is designed for LED Lighting applications. A fully enclosed metal housing provides good cooling within the luminaire.

The power supply is designed to provide high reliability 100W power in a convenient package for outdoor LED lighting fixtures. The lifetime of the power supply is designed to exceed the lifetime of the LEDs themselves, typically > 60,000 hours at 60°C.



Key Features

- Universal AC input range
- Constant voltage output, 24V, 36V or 48V
- High efficiency >90%
- Size 4.5" x 3.9" x 1.7" (114 x 99 x 43.5 mm)
- High reliability, long life
(>10 years continuous operation @45°C)

Standard Features

- High power factor >0.95
- Internal overvoltage protection
- Internal input fuse
- -40°C to +70°C baseplate
- Thermal shutdown protection
- Full safety approval (UL, cUL, CE)
- Input and output terminal blocks
- RoHS compliant
- Conformal coating of PCB
- 5-year factory warranty



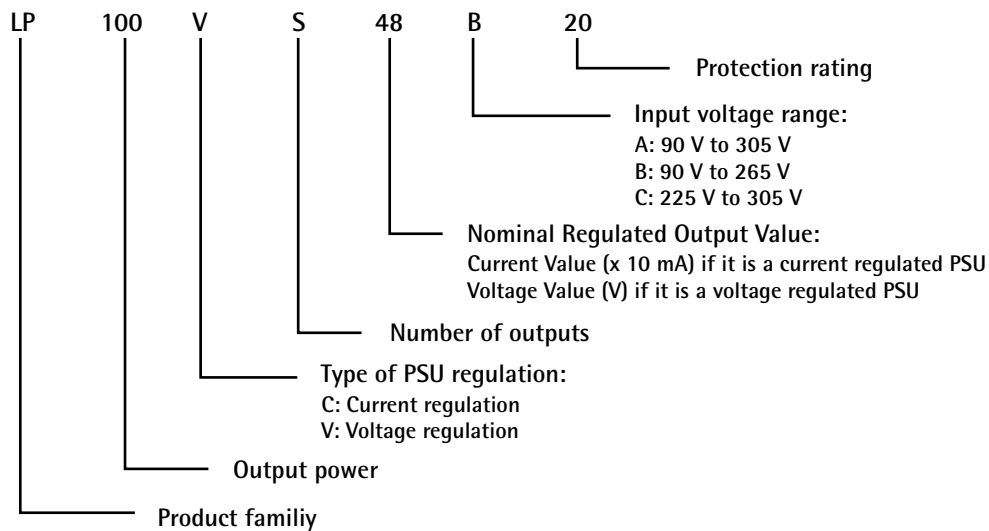
PERFECT IN FORM AND FUNCTION

AEG

Ordering Information

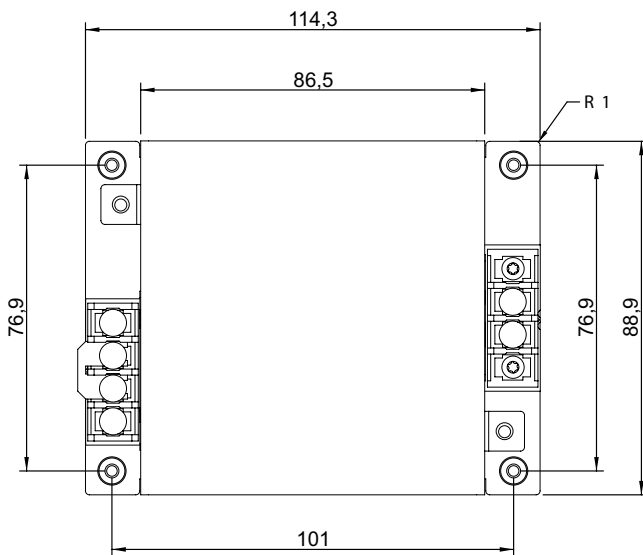
Part number	Voltage Range Output	Voltage Nominal Output	Maximum Current
LP 100 VS 48 B 20	90V to 265V	48V	2,1A
LP 100 VS 48 C 20	225V to 305V	48V	2,1A
LP 100 VS 36 A 20	90V to 305V	36V	2,8A
LP 100 VS 24 A 20	90V to 305V	24V	4,2A _{ww}

Part Number System with options:



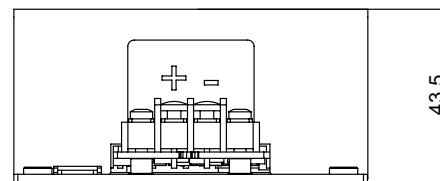
Mechanical characteristics

Dimensions are in mm.



Connections:

1. Input: screw terminals (3 positions)
 1. Line
 2. Neutral
 3. Ground
2. Output: screw terminals (2 positions)
 1. + Vout
 2. Return



AEG is a brand licensed by Electrolux AB

For further information
 please refer to our website:
www.aegps.com

PERFECT IN FORM AND FUNCTION

AEG