

Reliable Power

LP200C-series

LED Power Supply

200W AC/DC power supply for LED lighting
Universal AC input
Outputs: Four 350mA or dual 700mA

The LP200C series of high efficiency, fully isolated AC/DC power supplies are designed for the high demands of LED Lighting applications. They provide four outputs of 350mA or dual outputs of 700mA.

Each output uses current control and can drive a string of up to 40 HB-LEDs directly, eliminating the need for external drivers.

These power supplies are configured in an open frame metal chassis for excellent cooling within the housing. Fully enclosed IP67 packaging is available for use in damp locations.



Key Features

- Universal AC input range
- Constant current outputs, 350mA or 700mA
- High efficiency >90%
- Size 9.8" x 2.8" x 1.89" (250 x 71 x 48 mm)
- High reliability, long life (>10 years continuous operation @45°C)

Standard Features

- High power factor >0.95
- Internal overvoltage protection
- Internal input fuse
- -40°C to +80°C baseplate
- Thermal shutdown protection
- Full safety approval (UL, cUL, CE)
- Input and output terminal blocks
- RoHS compliant
- Conformal coating of PCB
- Optional IP67 housing
- 5-year factory warranty



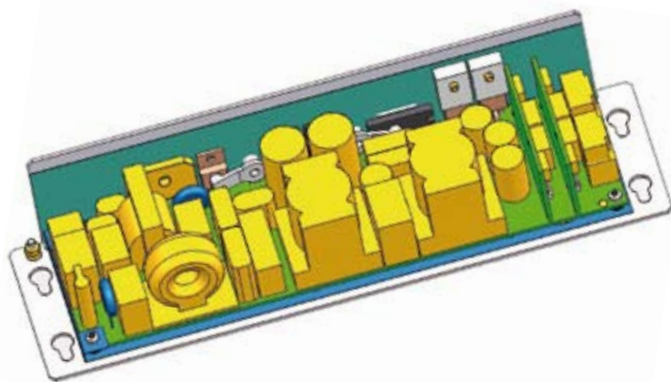
PERFECT IN FORM AND FUNCTION

AEG

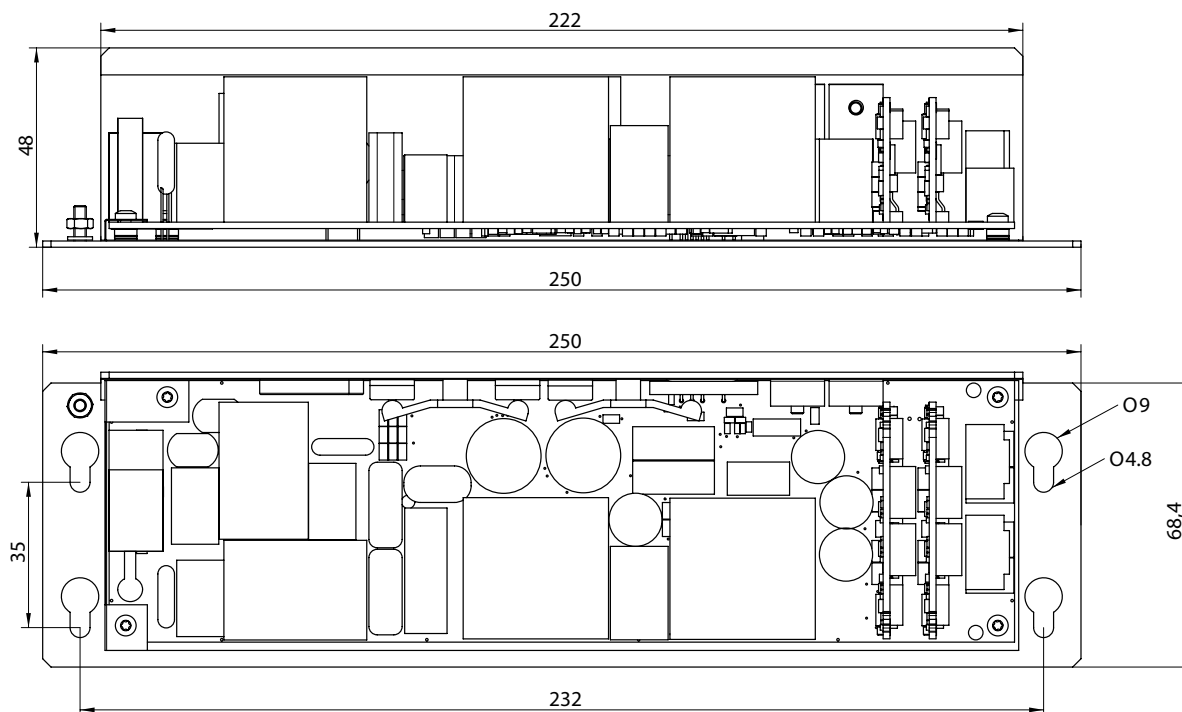
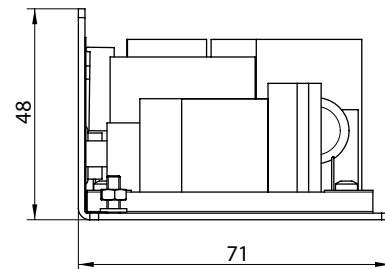
LP200C-series

Outline drawing

All dimensions in mm.



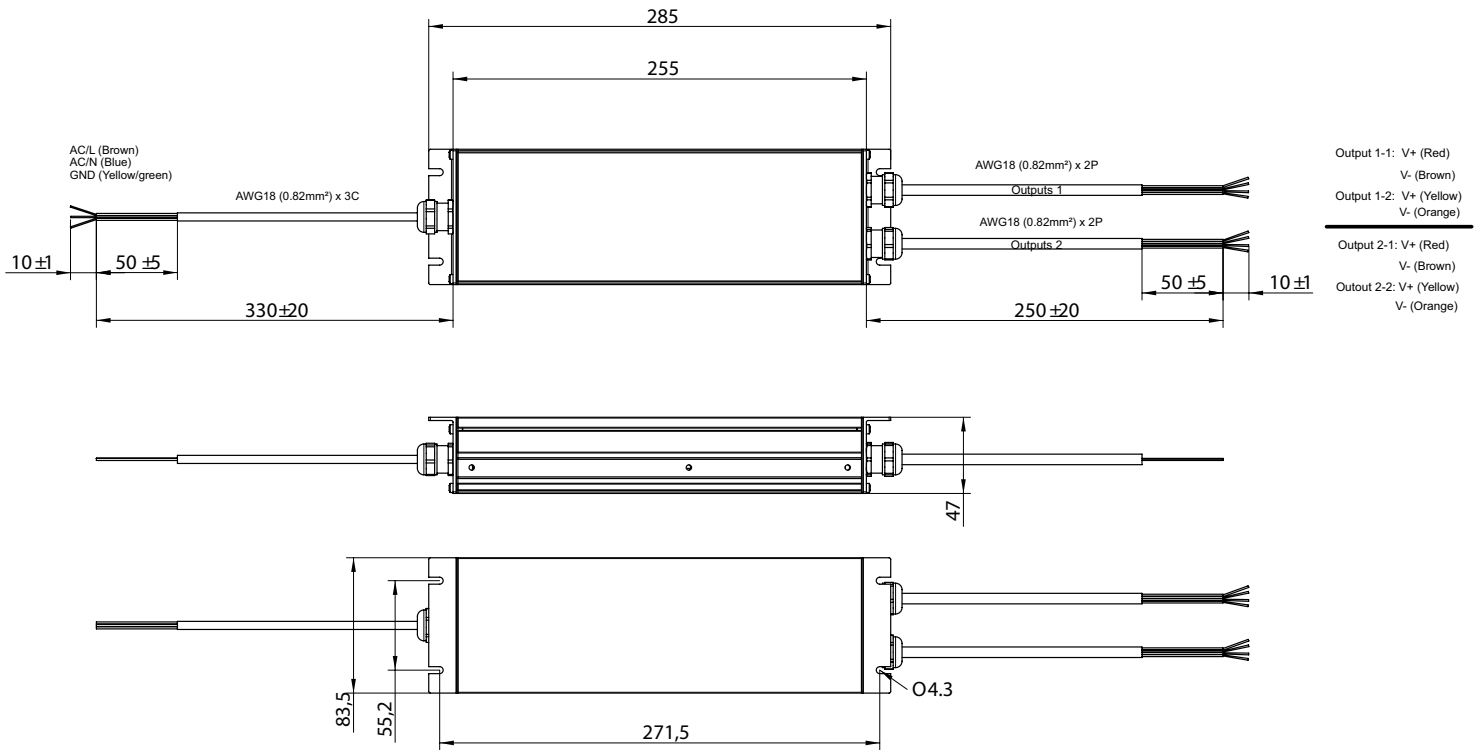
Unit:mm
Unspecified tolerance: +/- 0,5mm



Outline drawing (LP200CQ35B67 and LP200CD70B67)

All dimensions in mm.

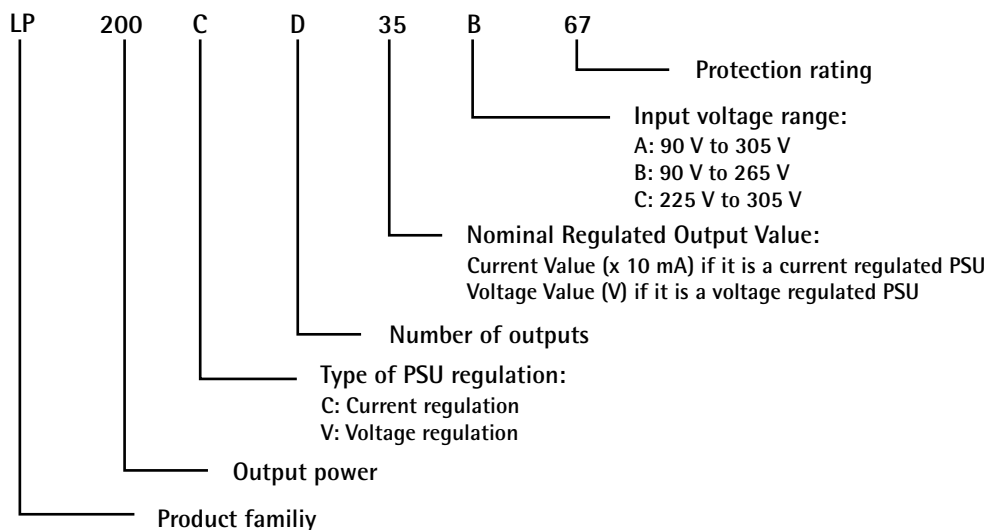
Unit:mm
Unspecified tolerance: +/- 0,5mm



Ordering information:

PRODUCT VERSION	PART NUMBER
Four 350mA outputs, conformal coated	LP200CQ35B00
Four 350mA outputs, IP67 enclosure	LP200CQ35B67
Two 700mA outputs, conformal coated	LP200CD70B00
Two 700mA outputs, IP67 enclosure	LP200CD70B67

Part Number System with options:



AEG is a brand licensed by Electrolux AB



LP100C - AEG - 05/10 - EN - V1 - Due to our policy of continuous development, data in this document is subject to change without notice and becomes contractual only after written confirmation.

For further information,
please refer to our website:

www.aegps.com

PERFECT IN FORM AND FUNCTION

AEG